

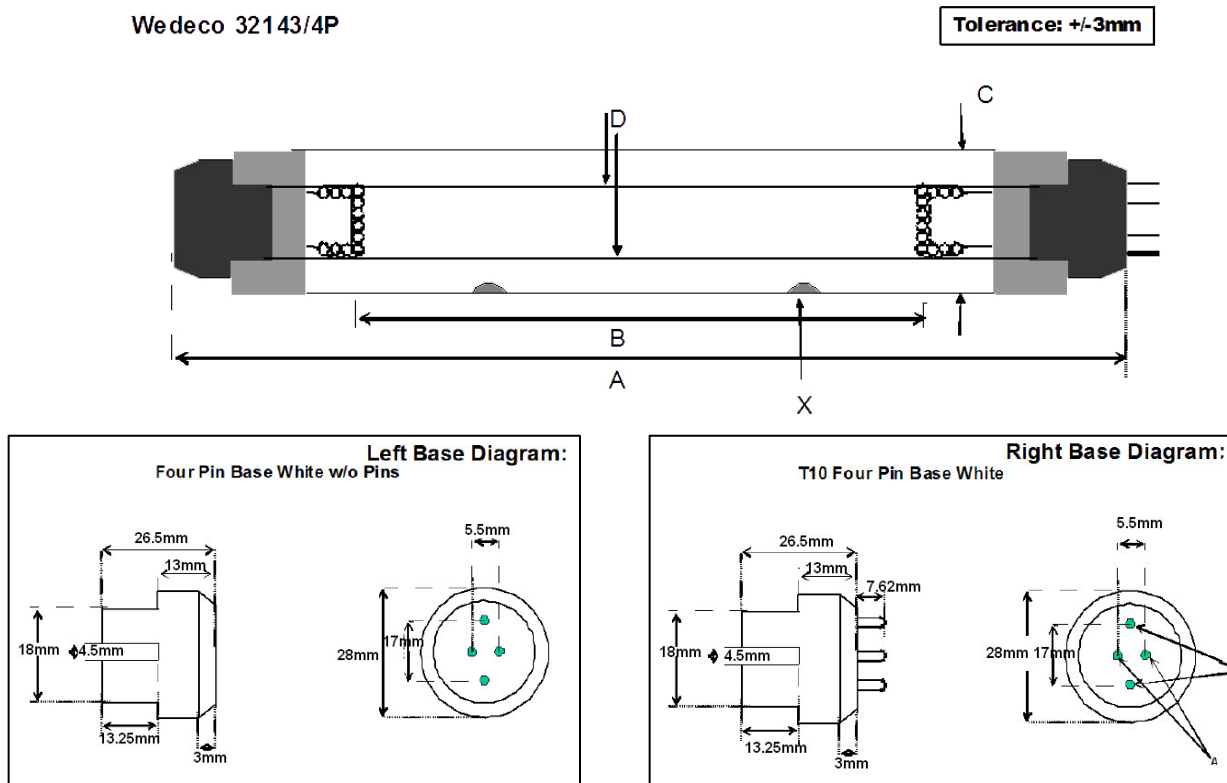
GPHA1512T9L/4D 270W AUVL

270W UVC Lamp

(Replaces Wedeco Ecoray® 32143/4P)

Article Number: 16000453

1. Lamp Diagram



2. Lamp Characteristics

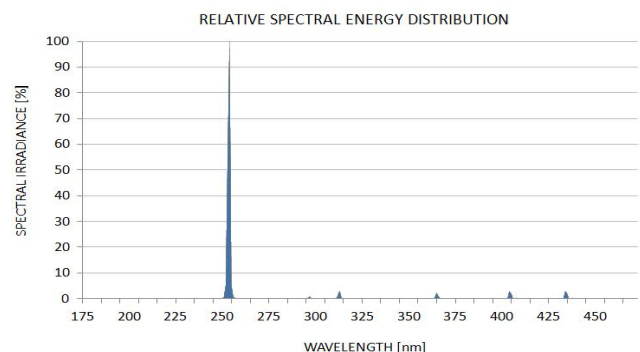
| | |
|--------------------|-------------------------|
| (A) Base Face: | 1512 mm |
| (B) ARC: | 1436 mm |
| (C) Bulb Diameter: | 28 mm |
| Glass Type: | L (Non-Ozone) |
| Base Type: | T10 Four Pin Base White |

| | |
|--------------------|---------|
| Operating current* | 3,800mA |
| Lamp voltage* | 72 V |
| Lampe wattage* | 270 W |

3. UV Output

| | |
|----------------------------------|-------------------------------|
| UV Output measured at 254nm | 129 W |
| Irradiance at 1m distance | 650 $\mu\text{W}/\text{cm}^2$ |
| Rated Life (hrs)** | 12,000 hours |
| Expected Intensity Decrease @EOL | <20.00 % |

Ballast Used 03-EB-238



* UV Output is based on lamps measured after 100 hours of operation under lab conditions. These values are subject to wide variations under application/field conditions.

** Rated Life is for reference purposes only and is based on a group of lamps operating under lab conditions. Actual life depends on the operating conditions of the lamp.