

GPHA1512T9L/4D 330W AUVL

330W UVC Lamp

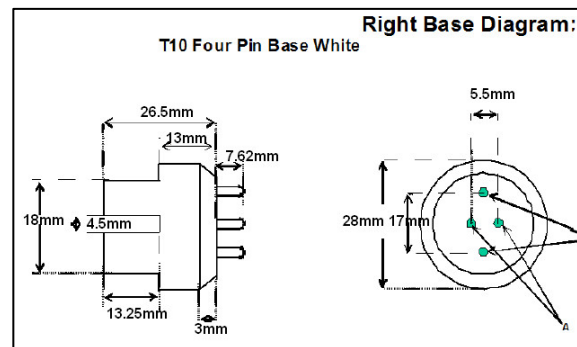
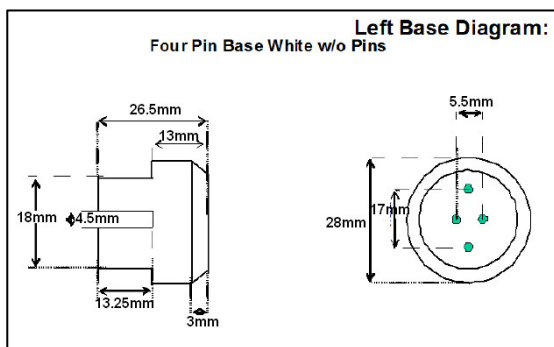
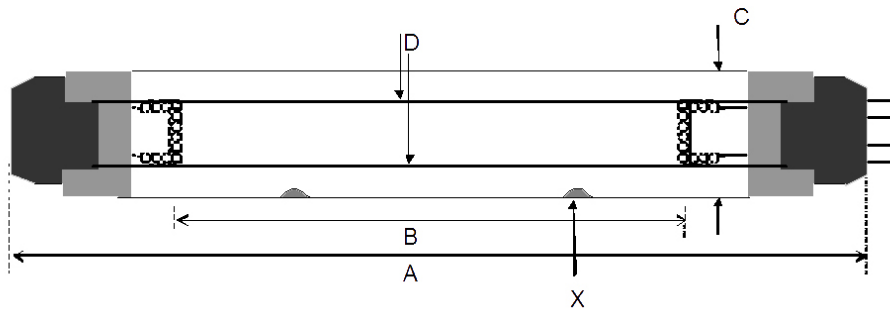
Replaces Wedeco 32143/HP

Article Number: 16000454

1. Lamp Diagram

Four pin for large diameter

Tolerance: +/-3mm



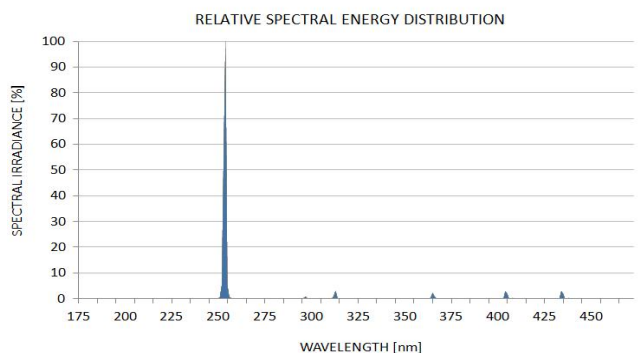
2. Lamp Characteristics

(A) Base Face:	1512 mm
(B) ARC:	1430 mm
(C) Bulb Diameter:	28 mm
Glass Type:	L (Non-Ozone)
Base Type:	Aluminum - White
Coating:	A11-QC-001

Operating current*	3,500 mA
Lamp voltage*	95 V
Lamp wattage*	330 W

3. UV Output

UV Output measured at 254nm	140 W
Irradiance at 1m distance	750 $\mu\text{W}/\text{cm}^2$
Rated Life (hrs)**	12,000 hours
% Output @EOL	80.00 %
Ballast Used for Measurements	03-EB-238



* UV Output is based on lamps measured after 100 hours of operation under lab conditions. These values are subject to wide variations under application/field conditions.

** Rated Life is for reference purposes only and is based on a group of lamps operating under lab conditions. Actual life depends on the operating conditions of the lamp.